

INSTALLATION SPECIFICATION SHEET

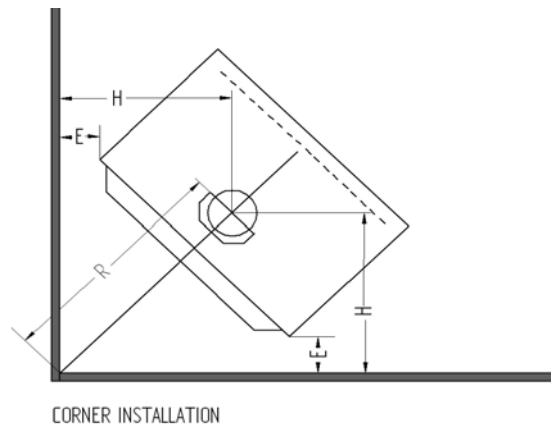
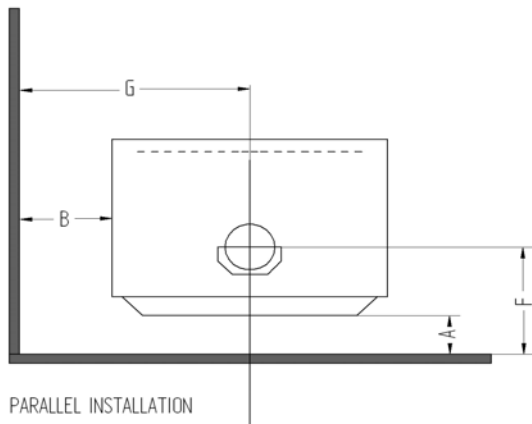
These instructions must be used in conjunction with the 'General Installation Instructions' for Masport wood fires.

CLEARANCE REQUIREMENTS

This fire has been tested and complies to the Australian/New Zealand Standard AS/NZS 2918:2001 and all installations must be in accordance with the minimum clearances to combustibles indicated in these instructions.

The minimum clearances to combustables may be reduced if the combustable walls are shielded with an approved non-combustable material. Details of suitable materials and appropriate clearance reduction factors are present in Section 3 of AS/NZS 2918:2001.

POSITIONING YOUR FREE-STANDING WOODFIRE



NEW ZEALAND

MINIMUM DISTANCES TO HEAT SENSITIVE WALLS (mm)

MODEL	FLUE HEAT SHIELD	A	B	E	F	G	H	R§
F10000R	SINGLE SKIN S/S POLISHED, 920mm LONG	150	325	150	345	705	557	787

AUSTRALIA

MINIMUM DISTANCES TO HEAT SENSITIVE WALLS (mm)

MODEL	FLUE HEAT SHIELD	A	B	E	F	G	H	R§

§ Valid only when the room walls are at 90° to each other.

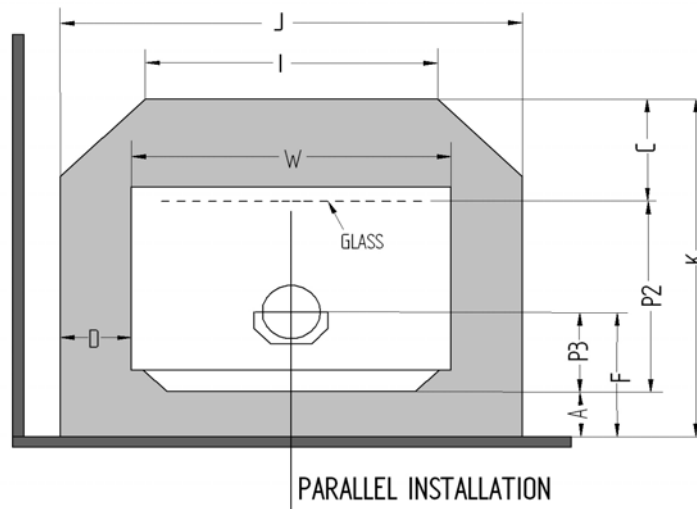
‡ Note: Clearances are for fire hazard only. For durability of finishes or surfaces you should contact the relevant manufacturer for their specification. Masport accepts no responsibility for the deterioration of surfaces or finishes.

PRT. NO. 595770

DATE: 20.01.2012

FLOOR PROTECTOR (Hearth) REQUIREMENTS PARALLEL INSTALLATION

MINIMUM FLOOR PROTECTOR DIMENSIONS IN mm



DIMENSIONS IN THE TABLE ARE VALID ONLY WHEN THE FIRE IS EXACTLEY AT ITS MINIMUM ALLOWABLE WALL CLEARANCE.

NEW ZEALAND

MODEL	Flue Shield	Floor Protector height	A#	C#	D	F	I	J	K#	P2	P3	W	Floor Protector Type Ø
F10000R	*		150	300	103	345	665	965	1060	610	195	760	AFP

* SINGLE SKIN S/S POLISHED, 920mm
AFP = ASH FLOOR PROTECTOR

AUSTRALIA - ALL WITH FLUE HEATSHIELD

MODEL	Flue Shield	Floor Protector height	A#	C#	D	F	I	J	K#	P2	P3	W	Floor Protector Type Ø

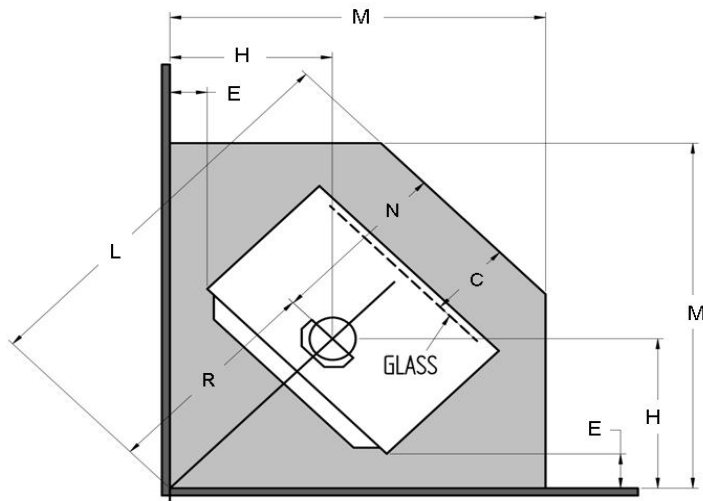
Ø for minimum constructional requirements see general installation instructions.

Valid only when the fire is exactly at its minimum allowable wall clearance.

NOTE: Where a fan is being fitted, you may prefer to increase the 'A' dimension to 100 mm to provide easier access for servicing. If so, the amount you add to 'A' to bring it to 100 mm must also be added to the 'C' and 'S' dimensions.

FLOOR PROTECTORS (Hearth) REQUIREMENTS CORNER INSTALLATION

MINIMUM FLOOR PROTECTOR DIMENSIONS IN mm



DIMENSIONS IN THE TABLE ARE VALID ONLY WHEN THE FIRE IS EXACTLEY AT ITS MINIMUM ALLOWABLE WALL CLEARANCE.

NEW ZEALAND

MODEL	Flue Shield	Floor Protector Distance above Floor	C	E	H#	L#	M#	N	R#	FLOOR PROTECTOR TYPE
F10000R	*		300	150	557	1502	1297	715	787	AFP

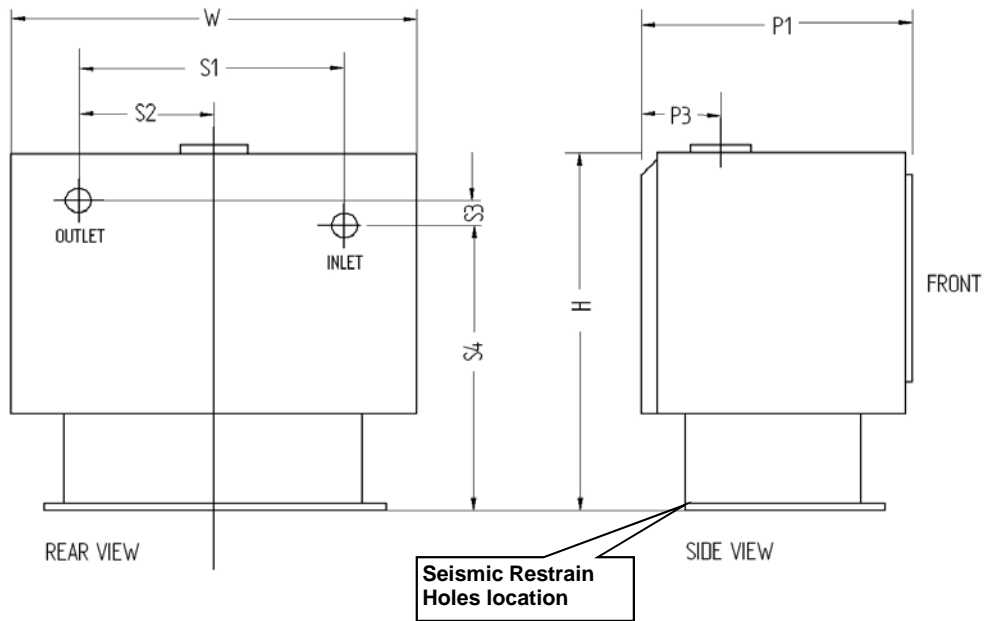
* SINGLE SKIN S/S POLISHED, 920mm

AFP = ASH FLOOR PROTECTOR

AUSTRALIA

MODEL	Flue Shield	Floor Protector Distance above Floor	C	E	H#	L#	M#	N	R#	FLOOR PROTECTOR TYPE

FREE STANDING FIRE DIMENSIONS

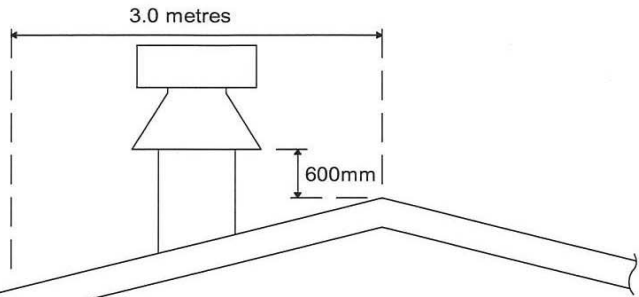
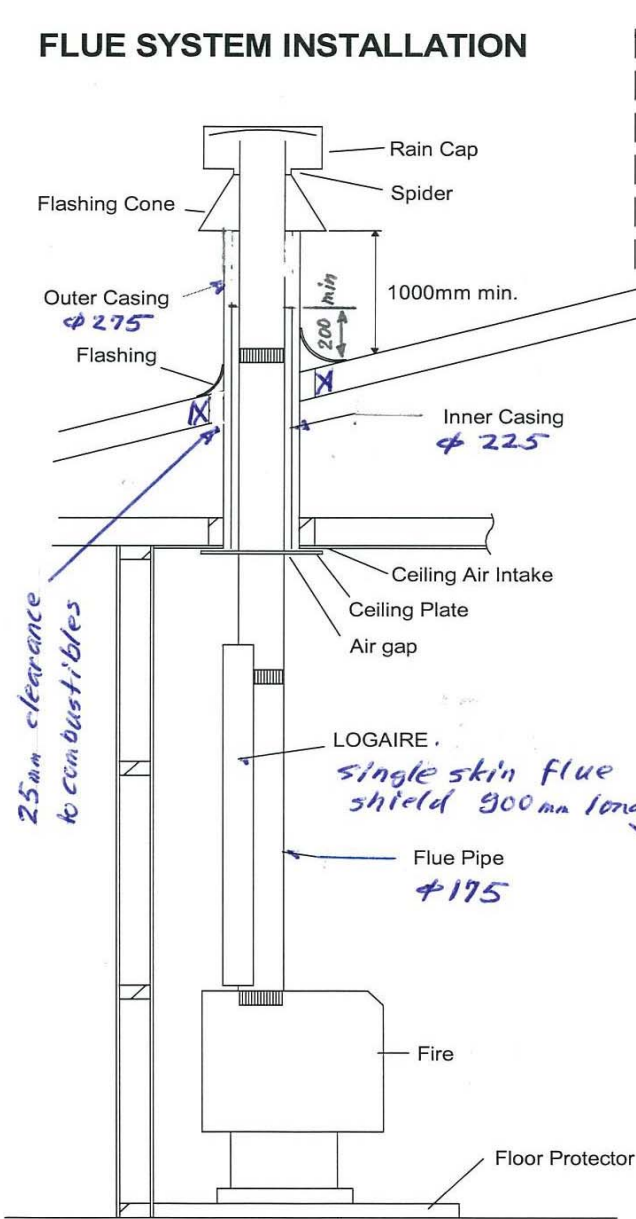


MODEL		P1	P3	H	W	S1	S2	S3	S4
F10000R		620	195	800	760	340	170	20	605

Seismic Restrain - In New Zealand and some part of Australia, it is required that the wood fire and floor protector are secured to prevent shifting in the event of an earthquake. This is best done by fastening the wood fire right through the protector to the floor, using two screws not less than 12 guage or the equivalent size of coach bolts or toggle fasteners.

THIS FLUE INSTALLATION DIAGRAM BELOW IS VALID FOR NZ INSTALLATIONS ONLY. FOR INSTALLATIONS IN AUSTRALIA, PLEASE REFER TO SPECIFIC FLUE INSTALLATION SPECIFICATIONS.

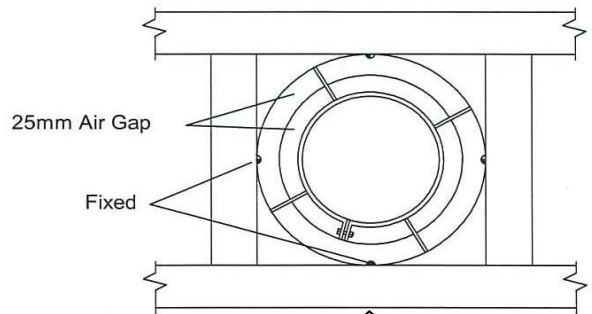
FLUE SYSTEM INSTALLATION



Installation shown complies with AS/NZS 2918:2001. If a flue exits out of the roof within 3 meters from the ridge, the outer shield height shall be not less than 600mm above the ridge. If the flue exits further than 3 meters out from the roof ridge then it must project at least 1000mm above roof penetration. This dimension may need increasing to ensure that the top of the flue is at least 3 meters away from the roof or other obstructions when measured horizontally.

The flue pipe shall extend not less than 4.6m above the top of the floor protector. Due to factors such as roof pitch, predominant winds, nearby obstructions (ie. trees, buildings), and fire placement, flue lengths and hats/cowls may vary.

CEILING PENETRATION PLAN



Above plan is valid only for flue manufactured by Sheetmetal Fabricated Products Ltd, Auckland, New Zealand. For other products, use specific flue installation specifications supplied by the manufacturer.

FLUE SYSTEM INSTALLATION 175mm